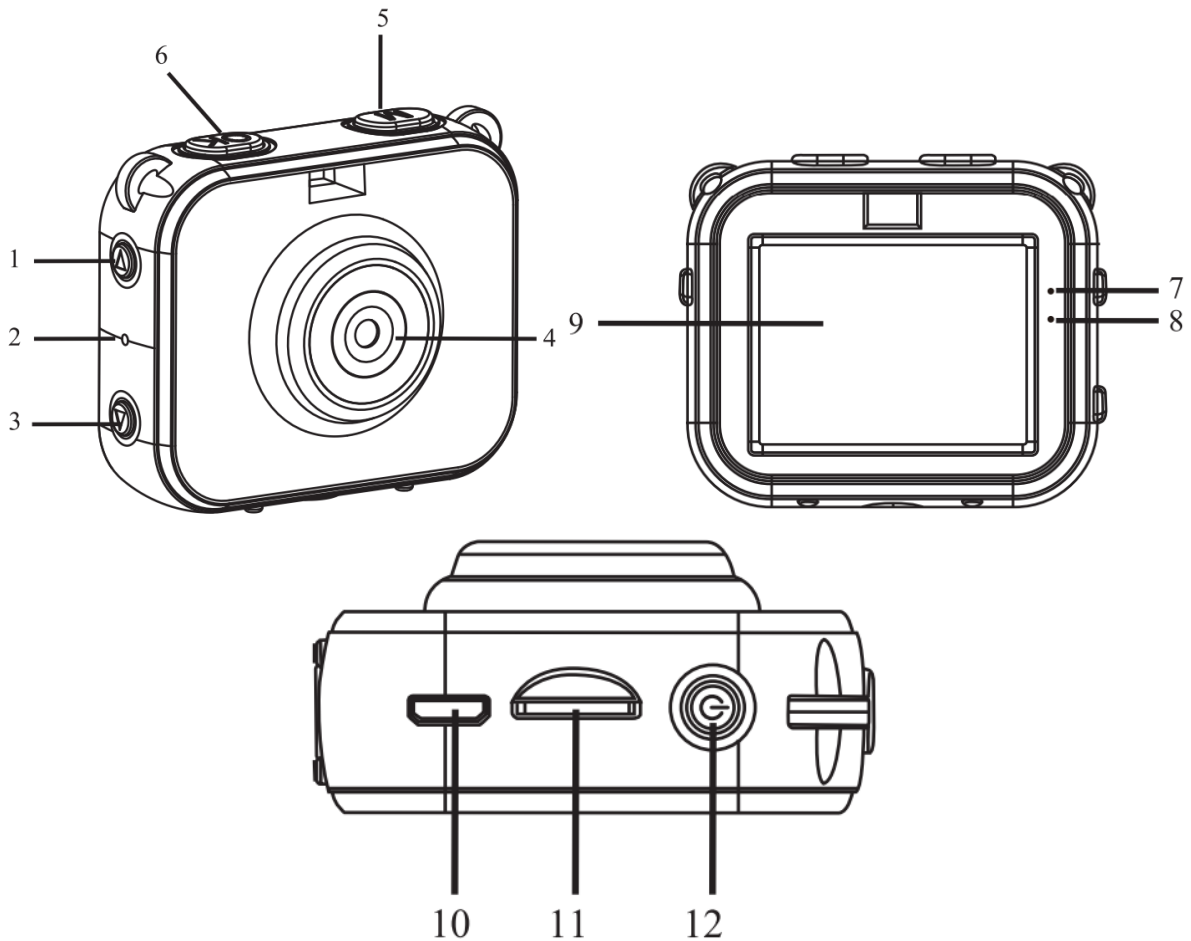


# User Manual for Waterproof Kids HD Digital Camera AT-G20G



## Specifications

- Model: AT-G20G
- Screen: 2" LCD
- Battery capacity: 400mAh
- Dimensions: 6 x 2 x 5cm
- Charging port: microUSB
- MicroSD port: up to 32GB card (NOT included)



- |                 |                                   |
|-----------------|-----------------------------------|
| 1. Up button    | 7. Working indicator light (blue) |
| 2. Reset button | 8. Charging indicator light (red) |
| 3. Down button  | 9. Display                        |
| 4. Lens         | 10. MicroUSB port                 |
| 5. Menu button  | 11. MicroSD card slot             |
| 6. OK button    | 12. Power button                  |

## How to use the memory card

Properly insert the microSD card into the designated slot as per the instructions indicated below. To remove the microSD card, press the end of the memory card gently, and the card will be ejected.



## Functions

To power on the camera, short-press the Power button, and the display will turn on, and the camera will start. The screen will be turned off automatically when the camera is in an idle state to save power. To power it off, press and hold the Power button for 3 seconds.

There are 6 icons on the main interface. Each icon corresponds to a different function. From the top left corner, the icons are: Photo, Video, MP3, Playback, Game, and Settings.

When in the Photo mode, press the OK button to take the picture. Short-press the Up or Down button to change the effect between the Color mirror, Magic mirror, and Sticker.

When in the Video mode, select the video icon to allow recording when there is a microSD card. When there is no card, it prompts "No card" and "Card Full" when the remaining memory of the card is insufficient. To start recording, short-press the OK button. Short-press the Mode button to exit video mode and get back to the main menu.

Select the MP3 icon to play music when there is a microSD card. When there is no card press the Power button, and it will return to the main menu. Please note the following instructions:

- The file must be in MP3 format
- Files must be placed in the MP3 or STORY directory
- Please try to set the file name in English
- Users can store story files to play the device as a storyteller
- Support playing the file only in sequence order

The camera will playback the last photo or the first frame of the video automatically. Short-press the Left or the Right button to select files, and short-press the OK button to start/pause. To delete the current file, short-press the Power button.

Select the game icon and press OK to enter the game mode. After entering games, the controls are:

- OK - Up button
- Return- Down button
- Left- Mode button
- Right-OK button