

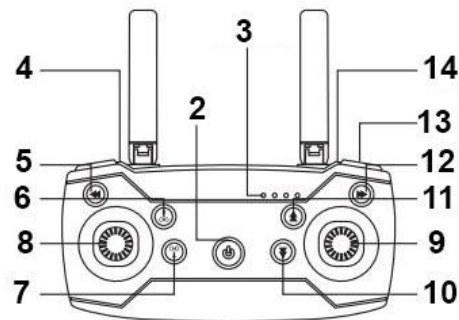
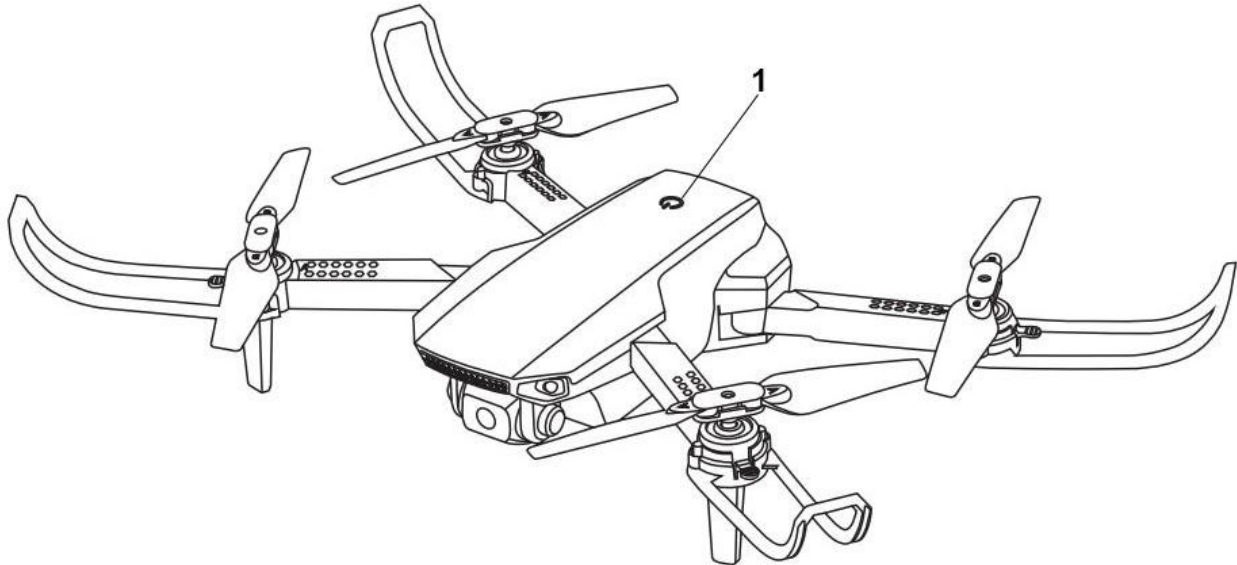
E68 Mini Foldable Drone with HD Camera & Remote Control



Specifications:

- Model: E68 Mini
- Camera: 720p HD
- Remote controller: 2.4GHz, smartphone
- Control distance: up to 100m (using RC)
- WiFi image transmission distance: about 60m
- Drone battery: 800mAh lithium battery

- Remote controller battery: 3x AA 1.5V batteries (not included)
- Flying time: from 10 to 12 minutes
- Charging time: about 60-70 minutes
- Charging port: USB
- Drone size(folded): 7,4cm x 12,4cm x 5cm
- Drone size(unfolded): 20cm x 24cm x 5cm
- Storage bag size: 22cm x 17cm x 6cm

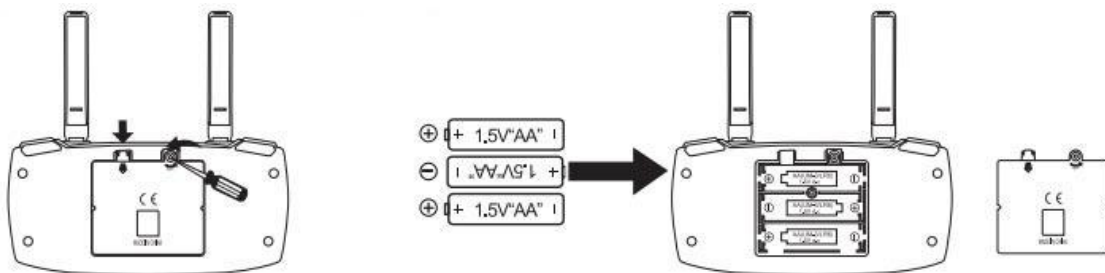


1. Power on/off
2. Power switch
3. Power indicators
4. Headless mode (short press)/key return (long press)
5. Fine-tuning left side flying
6. One key take off
7. One key take landing
8. Left control stick (up/down/left/right)

9. Right control stick (forward/backward/left/right side flying)
10. Backward fine-tuning
11. Forward fine-tuning
12. Fine-tuning right side flying
13. Speed control
14. Emergency stop (long press)/rollover key (short press)

Batteries installation of remote control

To install the batteries to the remote controller open the battery cover on the back of the remote. Insert three 1.5V AA batteries in accordance with the instructions on the battery box.



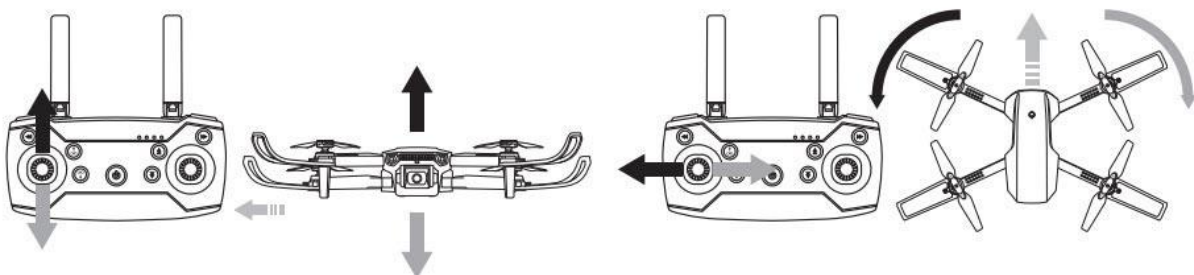
Drone battery charging

The battery of the drone is rechargeable so follow the next steps to charge it correctly:

1. Insert the included USB cable into the USB port of the computer or power adapter (not included) and the indicator will light up.
2. Remove the battery from the drone and connect the battery plug to the USB charging cable.
3. The indicator on the battery will light up and it will turn off when the battery is charged.

The operation and control of the drone

The left analog controls the rising and falling of the drone and also turning the drone left and right.



The right analog controls moving the drone forward and backward and also flying to the right and to the left.

