

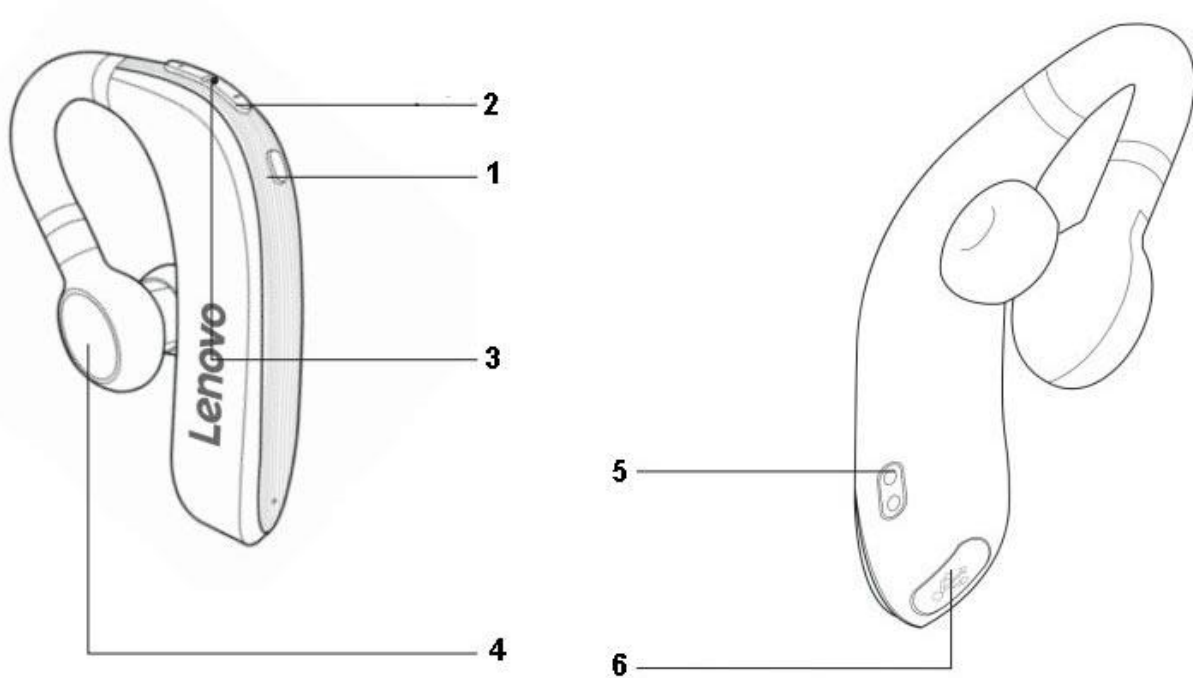
# Lenovo HX106 Business Bluetooth Headset



## Specifications:

- Model: HX106
- Bluetooth: v5.0
- Battery: 160mAh

- Distance: 10m barrier-free
- Music time: about 20h
- Talking time: about 300min
- Standby time: about 120h
- Sensitivity: 110dB
- Speaker diameter: 10mm
- Materials: ABS



1. On/Off button
2. Volume down & up/next & previous track
3. LED light
4. Multifunction button
5. Charging contact for box
6. USB charging interface

### Headset pairing

Turn on the headset and the LED indicator starts to flash red and blue (pairing mode), then enable the Bluetooth on your phone and search for the headset and connect it. To connect the headset with two phones, pair as described above with the first phone, then turn off the Bluetooth on the first phone and repeat the connecting procedure with the second phone. When done, turn on the Bluetooth on the first phone and connect it to the headset.

## **Headset charging**

The headset has a built-in rechargeable battery. Before you use the headset for the first time, it is recommended to fully charge it. When charging, the indicator will light blue and when the battery is full it will stop. Please use the charger below DC 5V/1A.

## **Headset commands**

- For the previous song, press and hold the volume down button
- For the next song, press and hold the volume up button
- To answer or end a call, click the multifunction button once
- To play or pause a song, click the multifunction button once
- To reject the incoming call, double-click the multifunction button
- Chinese-English language change, press and hold the multifunction button and volume buttons