

User manual for Forever See Me KW-300 Smartwatch for Kids With GPS

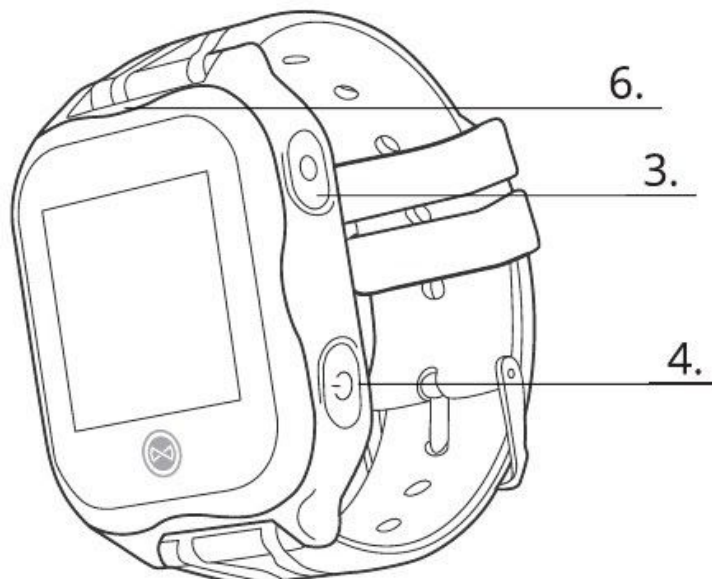
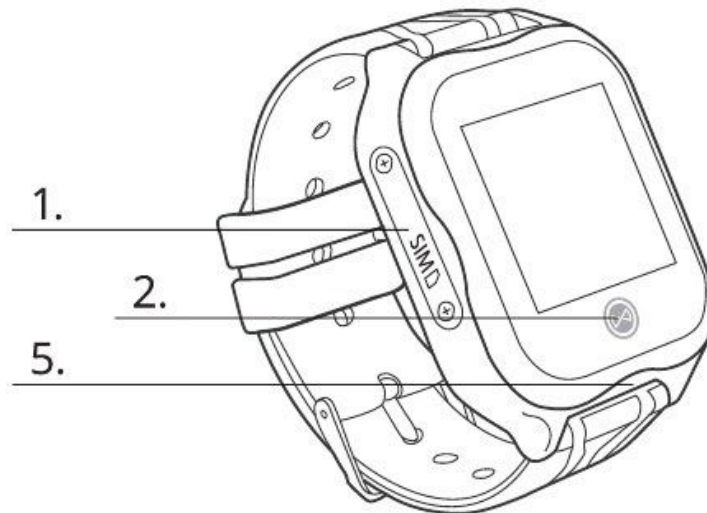


Specifications:

- Display: 1.3" 240x240 colorful TFT screen
- Supported SIM: microSIM card
- Battery type: Lithium-ion, rechargeable
- Battery capacity: 400mAh
- Standby time: 3d
- Charging time: 2h
- Weight: 43g

Device description

1. SIM card slot
2. Answer/Reject the call
3. Camera
4. On/Off/Return to the main screen/SOS button
5. Microphone
6. Speaker



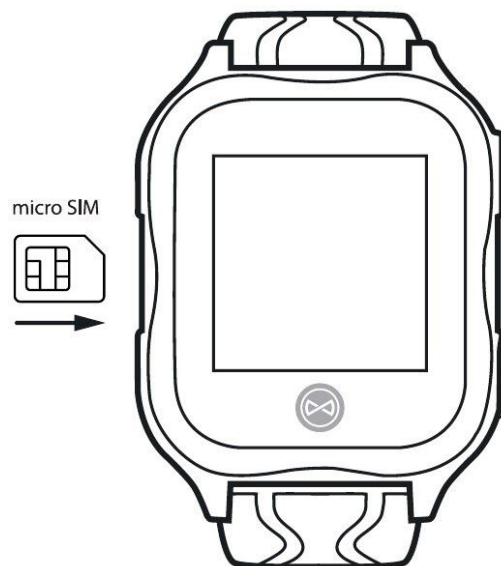
Charging

It's recommended to use a charger of output parameters of 5V DC, 500mA. The charger is not included in the package. To fully charge the watch, it'll take approximately 2 hours.

Connect the cable included in the package by engaging a clip on the one side of the watch so that both pins are in contact with the watch charging connector and then connect the second end of the cable to a USB port in a computer or a charger.

1. Preparation of the watch

Loosen the two screws on the left-hand side of the watch and carefully open the SIM card protection and be careful not to lose the seal located on the inside of the protection. Insert micro SIM card into the slot so that the chip is facing up towards the screen of the watch (see picture below). You'll hear a clicking sound confirming the correct installation.



Before inserting or removing the SIM card, always ensure that the watch is turned off. Never insert or remove the SIM card when the watch is turned on.

After installing the SIM card, close the protection by mounting it using two screws, paying attention to the seal's correct position.

2. First launching

After installing the SIM card and making sure that the device is charged up, you may activate it by pressing and holding the ON button, located on the right-hand side. Upon activation, the watch will connect to the mobile network and obtain the GPS and WIFI signals if they are available.

3. Watch operation

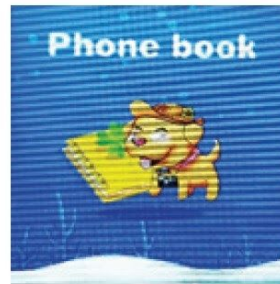
The watch is operated using the touch screen by moving your finger on the screen; you may switch between particular functions and select it by pressing the screen.



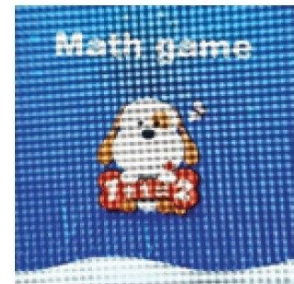
1



2



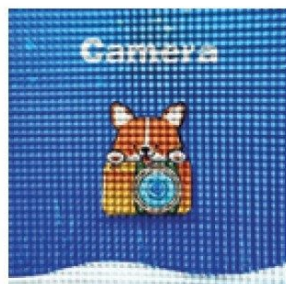
3



4



5



6



7



8

- 1) The watch's main screen shows the current date and time, as well as the battery level. The screen also contains icons indicating the connection with the mobile network, GPS and WIFI and the amount of received prizes.
- 2) It allows you to make a phone call by manually entering the number.
- 3) The phone directory provides access to 10 contacts defined using the app.
- 4) Simple mathematical game with three challenging levels.
- 5) It allows you to send voice messages and receive text and voice messages.
- 6) It allows you to take a photo that will be saved in the album.
- 7) Access to the recently taken photo. You can preview, send, or delete it. Each taken photo overwrites the previous one/
- 8) Preview of the number of steps taken after prior activation of a pedometer in the app

4. Use of the application

Account and watch registration:

In the registration window, enter or scan the watch code located on the package's bottom and by the watch. Enter your e-mail address, name, and password. Then, select the language of the application and the area in which the watch will be used.

Chat: Sent a text or voice message to the watch by entering it with a keyboard or recording with a phone microphone. You can also listen to voice messages sent from the watch.

Remote camera: Take a photo using the camera of the watch and receive it on your phone. The taken photo will appear after some time, depending on the strength of the mobile network signal.

Map: Shows the current position of the watch on the map.

Route: Set date and time for which you want to check the route traveled by the watch user in a given time.

Safety zone: Click the + mark to specify the safety zone. Enter the name of your zone, click on the map, and then select the size of the mapped zone size in the range between 200m and 2000m. When the watch leaves the zone, you'll be notified.

Notifications: Here, you may receive and view any notifications and alarms received from the watch.

Activity: Double-click on the steps bar to activate measurement of the activity and enter necessary settings, such as measurement time, step length, weight. Double-click the sleep monitor to set it. You may also check the data collected on a selected day.

Alarm clock: Set selected time and frequency of repeating.

Prizes: Send the appropriate number of hearts that will be displayed on the watch screen. Specify any meaning for each number and prize the user of the watch.

Find the watch: Click to find the watch if it's near you. The watch will ring, informing about its location.

Me:

- Personal data: Your account settings
- List of devices: Add, edit, or delete connected watches
- Change password: Change your account password

Settings

- SOS numbers: When the user of the watch presses and holds the SOS button, the watch will automatically make an alarm call to three contacts defined here.
- Voice monitoring: Enter a phone number which the watch will call, allowing to listen to the surroundings of the watch. Answer the call and check what's happening in the vicinity. The user of the watch won't be notified about a call.

- Do not disturb: Select the time during the day at which the user of the watch will not get any phone calls.
- Locating mode: Select normal mode - refreshing the location of the watch once every 10 minutes; energy saving mode - once every hour; tracking mode - every minute.
- SMS notifications: Enter a number to which you want to receive SMS notifications about events, such as low watch battery level, SOS alarm activation.
- Phone directory: Define up to 10 contacts that will be available to the watch user in the phone directory.
- Time zone: Set your time zone to allow the watch to display correct date and time on the screen.
- Language: Select one of the available languages of the watch.
- Settings switch: Activate or deactivate functions of the watch.
- LBS localization: Activate or deactivate localization using antennae of network operators.
- Remotely deactivate the watch: The watch will be turned off.